





# Thermoplastic Valves



## COMPACT BALL VALVE

| Part Number | Product Description | Nominal Size |
|-------------|---------------------|--------------|
| 14020       | Socket              | 20mm         |
| 14025       | Socket              | 25mm         |
| 14040       | Socket              | 40mm         |
| 14050       | Socket              | 50mm         |



## NON-RETURN (SWING CHECK)

| Part Number | Product Description | Nominal Size |
|-------------|---------------------|--------------|
| 14640       | Swing Check Valve   | 40mm         |
| 14650       | Swing Check Valve   | 50mm         |



## PUSH / PULL VALVES

| Part Number | Product Description | Nominal Size |
|-------------|---------------------|--------------|
| A68487      | Push / Pull Valve   | 40mm         |
| A68488      | Push / Pull Valve   | 50mm         |



## FULFLO VALVES

| Part Number | Product Description | Nominal Size |
|-------------|---------------------|--------------|
| 14842       | 2 Way Valve         | 40mm         |
| 14843       | 3 Way Valve         | 40mm         |

Fulflo 40mm two way or three way valves feature a Teflon™ encapsulated seal that offers reliable sealing and smooth operation without the need for lubrication.

The Fulflo valve body is manufactured with strong & durable PVC and is compatible with all PVC pipe that will ensure a quick setting and strong sealing bond. The Fulflo's handle, locking ring, lid & diverter are constructed from glass filled Polypropylene for improved durability.

# FPI Valves

Designed for optimal flow and engineered to be maintenance free.

## FPI VALVES

| Part Number | Product Description                           | Teflon Seals | Nominal Size |
|-------------|---|--------------|--------------|
| 148503      | 2 Way Valve threaded with half unions (6 Bar) | ✓            | 25/32mm      |
| 148505      | 2 Way Valve slip fit (6 Bar)                  | ✓            | 25/32mm      |
| 148500      | 3 Way Valve threaded with half unions (6 Bar) | ✓            | 25/32mm      |
| 148502      | 3 Way Valve slip fit (6 Bar)                  | ✓            | 25/32mm      |
| 14852       | 2 Way Valve (4 Bar)                           | ✓            | 40/50mm      |
| 14853       | 3 Way Valve (4 Bar)                           | ✓            | 40/50mm      |
| 14856       | 2 Way Valve (4 Bar)                           | ✓            | 50/65mm      |
| 14860       | 3 Way Valve 360° (4 Bar)                      | ✓            | 50/65mm      |
| 14882       | 2 Way Valve slip fit (4 Bar)                  | ✓            | 65/80mm      |
| 14892       | 2 Way Valve threaded with half unions (4 Bar) | ✓            | 65/80mm      |
| 14883       | 3 Way Valve slip fit (4 Bar)                  | ✓            | 65/80mm      |
| 14893       | 3 Way Valve threaded with half unions (4 Bar) | ✓            | 65/80mm      |
| 148564      | 2 Way Valve Actuated Type (4 Bar)             | ✓            | 50/65mm      |
| 148584      | 3 Way Valve Actuated Type (4 Bar)             | ✓            | 50/65mm      |

\*™ Teflon is a Registered Trade Mark of DuPont Corporation

- Teflon™ seals
- Quick installation
- UPVC and ABS construction
- Available in 2 and 3 way configurations
- 316 grade stainless steel components
- Up to 600 kPa pressure rated

### Teflon seals

Teflon™ seals offer minimal friction and smooth operation.

### Quick installation

The FPI valve body is made from UPVC. Its compatibility with PVC pipes will ensure quick setting and a stronger bond.

### Engineered strength

Both the FPI Valve lid and handle are constructed from premium ABS plastic. The valve's steel components are constructed from high quality 316 grade stainless steel.

### High pressure rating

Its advanced design and construction enable the FPI valves to withstand a working pressure of 400 to 600 kPa depending on the model selected.

### Optional half unions

25/32mm and 65/80mm valves are available with the option of half unions for ease of installation and maintenance.

### Warranty

FPI valves are covered by a 12 month warranty against faulty materials and workmanship.



2 way 40/50mm slip fit valve



3 way 40/50mm slip fit valve



3 way 25/32mm slip fit valve



3 way 25/32mm valve threaded with half unions.



2 way 50/65mm slip fit valve



3 way 50/65mm slip fit valve

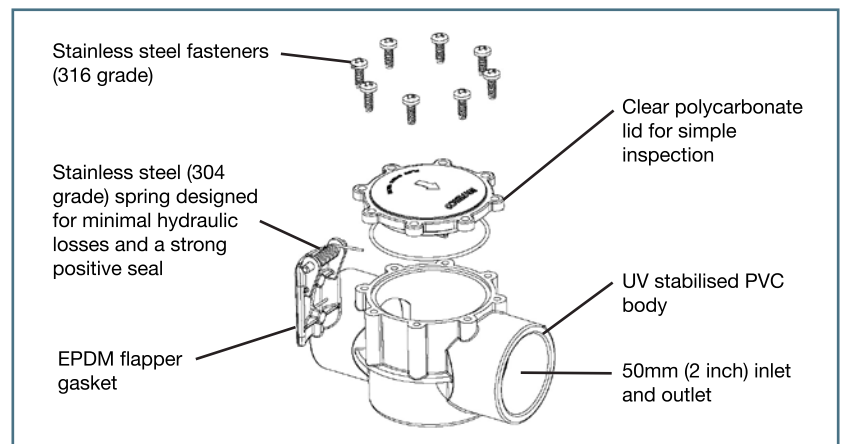
# Flow Check Valve



## FLOW CHECK VALVE

| Part Number | Product Description      | Nominal Size |
|-------------|--------------------------|--------------|
| 14641       | Flow Check Valve 180 deg | 40/50mm      |
| 146419      | Flow Check Valve 90 deg  | 40/50mm      |
| 14651       | Flow Check Valve 180 deg | 50/65mm      |
| 146519      | Flow Check Valve 90 deg  | 50/65mm      |

The Flow Check Valve has been designed to be simple to install, inspect and service. With a 304 grade stainless steel spring designed for minimal hydraulic losses and a stronger positive seal, it is ideal for both inlet and return lines.

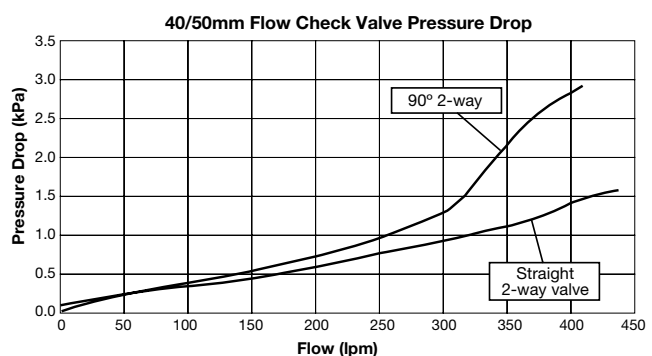
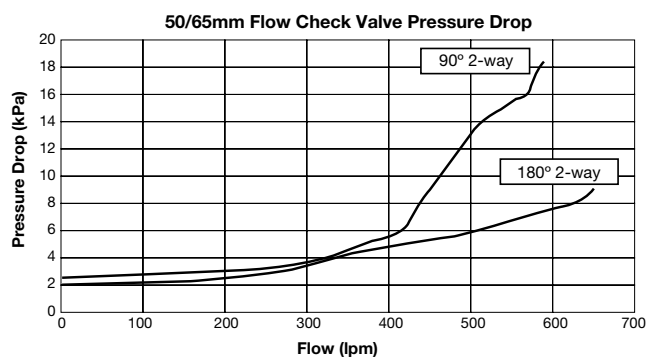


The Check Valve's pressure rating of 400 kPa (58 psi) and its 316 stainless steel fasteners make it suitable for domestic and commercial applications.

- Eliminate the loss of prime on the suction side of a pump.
- Prevent the drain down of water towards pumps and filters.
- Prevent water flow in an unwanted direction.

### Warranty

Waterco's Check Valves are covered by a 12 month warranty against faulty materials and workmanship.



# FPI Valve Actuator

## FPI VALVE ACTUATOR

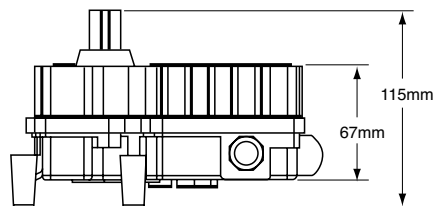
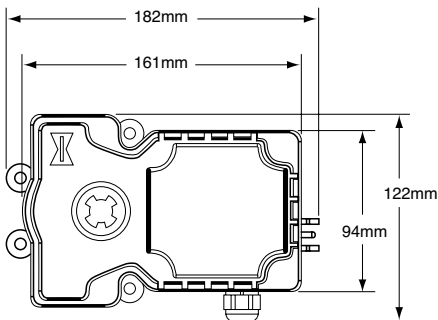
| Part Number | Product Description      | Nominal Size |
|-------------|--------------------------|--------------|
| 3652607     | 24VAC FPI Valve Actuator |              |

- Designed to operate 2-way and 3-way FPI valves
- Adjustable cam rotates diverter valves to multiple degree settings
- Provides automatic control of valves for water features, pool/spa combinations, solar collectors and pool cleaners
- Retro-fits into all pool/spa control systems offered in the market



### Specifications

|             |  |
|-------------|--|
| Voltage     | 24 VAC   |
| Amps        | 0.65   |
| Torque      | 250 inch pounds (288 kilograms force centimeter) |
| Material    | Housing - Noryl; Gears - steel                   |
| Grease      | MoS2 Lubricant                                   |
| Cord length | 15' (457.2 cm)                                   |
| Rated       | Outdoor use                                      |



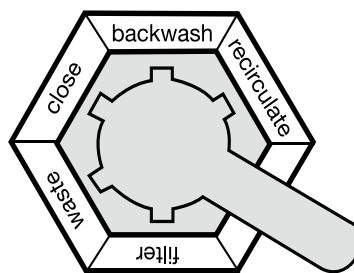
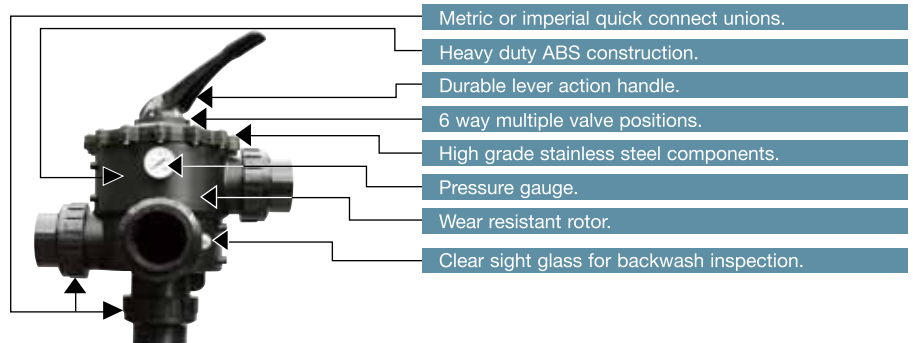
# Multiport Valves

Heavy duty construction



## MPV KITS FOR MICRON SAND FILTERS

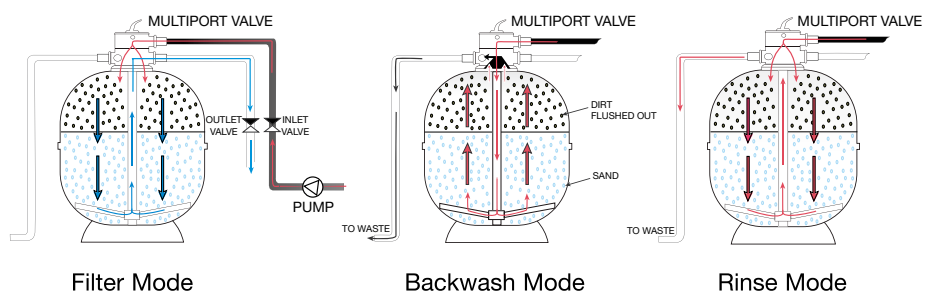
| Part Number | Product Description            |   |
|-------------|--------------------------------|---|
| 2280422     | TM 40mm MPV Clamp w BU         | Thermoplastic T400 - T600 Clamp Type  |
| 228042      | TM 40mm MPV c/w BU             | Micron S500 - S700  |
| 2280441     | TM 40mm MPV c/w BU (6way 4bar) | Micron S500 - S700  |
| 2290421     | SM 40mm MPV                    | Micron SM400 - SM600 8" neck w 40mm<br>Micron SMDD600 8" neck w 40mm  |
| 2290491     | SM 40mmMK2 MPV c/w P Kit       | Micron SM600 8" neck w 50mm   |
| 2390495     | DE SM 40mm MPV c/w P Kit       | Astra DE P2027  |
| 228053      | TM 50mm MPV c/w BU             | Micron S702 - S1200<br>Micron SD750, SD900  |
| 2290512     | SM 50mm MPV                    | Micron SM700 - SM900 8" neck w 50mm<br>Micron SMDD750 - SMDD900 8" neck w 50mm<br>Micron SMDD1050 w 50mm connection |
| 23905832    | DE SM 50mm MPV c/w P Kit       | Astra DE P2036, P2048   |
| 2290820     | SM 80mm MPV c/w P Kit          | Micron SM1050 - SM1600 w 80mm<br>Micron SMDD900 - SMDD1400 w 80mm   |
| 2291005     | SM100mm MPV c/w P Kit          | Micron SM1600 - SM2000  |



### Multiport Valve Main Functions

- Filter** - downward flow through the filter bed to outlet
- Backwash** - upward flow through the filter bed to waste
- Rinse** - downward flow through the filter bed to waste
- Waste** - bypass the filter bed to waste
- Re-circulate** - bypass the filter bed to outlet
- Closed** - no flow to the filter

Cleansing a filter simply requires shifting the Multiport lever from the "filter" position to the "backwash" position, which reverses the flow of water in the filter, flushing the filter bed.



**Warranty**  
Waterco Multiport valves are covered by 1 year warranty.

# Aquastar

## Automated Multiport Valve

### AUTOMATED SIDE MOUNT VALVES

| Part Number | Product Description                         | Nominal Size |
|-------------|---|--------------|
| 22720050    | MOT MPV E2000, GFK 50MM                     |              |
|             | Motorised MPV 6way E2000 pressure, GFK 50mm |              |
| 22820080    | MOT MPV E2000, GFK 80MM                     |              |
|             | Motorised MPV 6way E2000 pressure, GFK 80mm |              |
| 22830050    | MOT MPV E3000, GFK 50MM                     |              |
|             | Motorised MPV 6way E3000 time, GFK 50mm     |              |
| 22830080    | MOT MPV E3000, GFK 80MM                     |              |
|             | Motorised MPV 6way E3000 time, GFK 80mm     |              |

*Note: GFK pressure rating = 5.5 bar (75psi)*

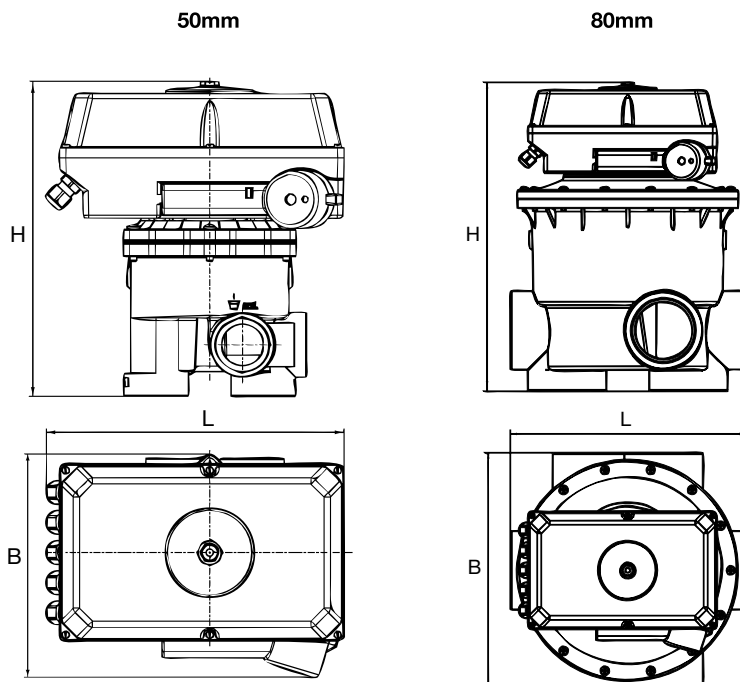


### Types of Control Units

| Type      | Pressure | Time |
|-----------|----------|------|
| E-2000/F2 | ✓        |      |
| E-3000/F2 |          | ✓    |

### Dimension

|      | H   | L   | B   |
|------|-----|-----|-----|
| 50mm | 339 | 274 | 230 |
| 80mm | 434 | 330 | 330 |



Aquastar® provides automated backwashing and rinsing, triggered by a pressure sensor, timer, or both. The controller switches off the filter's pump prior to each repositioning of the multiport valve, ensuring safe operation.

- Clear display of valve position
- Quiet operation
- Quick conversion from automatic to manual operation\*
- Emergency handgrip integrated in the actuator
- IP65 protection
- Side and top mount configurations

### Warranty

Aquastar® Multiport valves are covered by 1 year warranty.